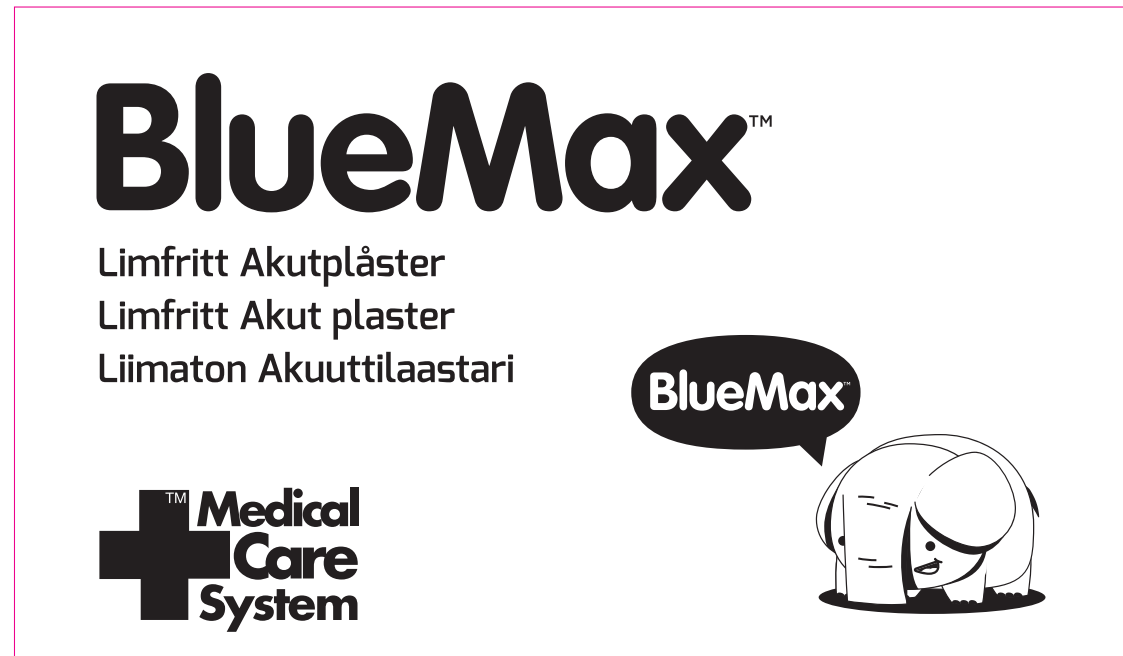


Format	700x500 mm
Scale	1:1

Level-1 Box

700x500 mm
1:1

Side 1 Print on both sides



86

148

Side 2 Print on both sides



86

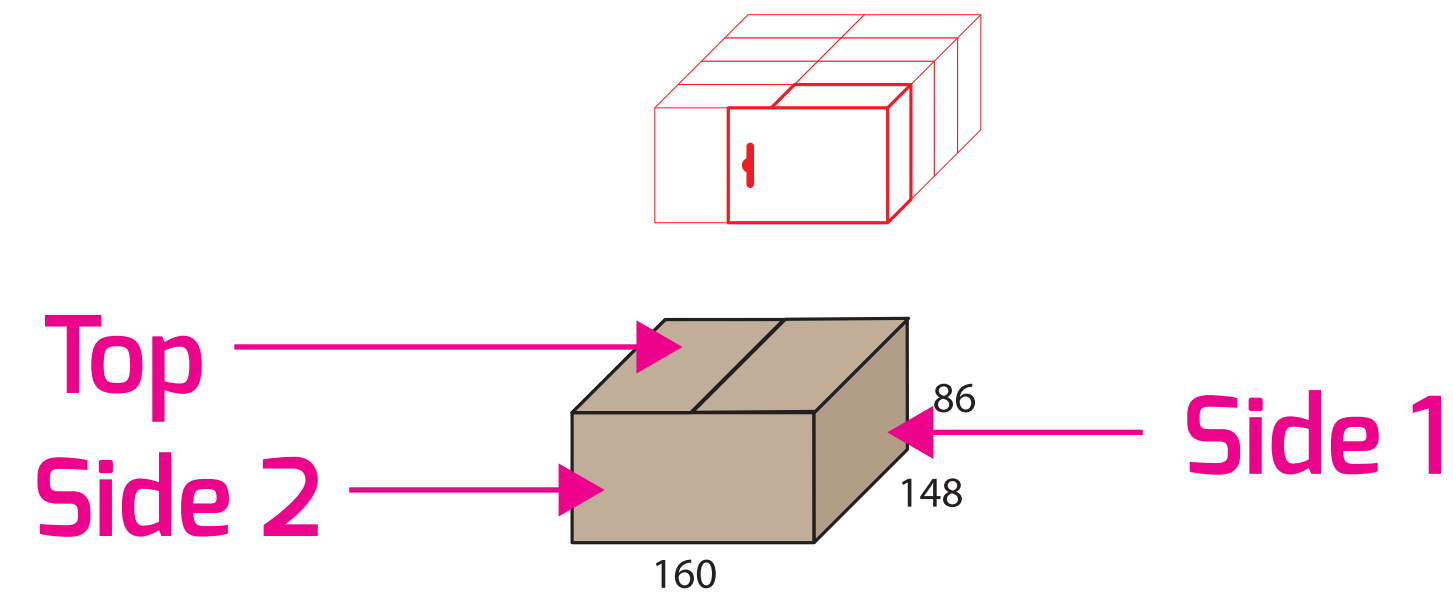
160

Top



148

160



Level-1 Box



Single 1-pack
BlueMax II - 3200 Roll - Beige
Art.nr 23200R


Level-2 Box


Format	700x500 mm
Scale	1:1

Side 1 Print on both sides

BlueMax™

Limfritt Akutplåster
Limfritt Akut plaster
Liimaton Akuuttilaastari





168

600

Side 2 Print on both sides

BlueMax™

Art no: 23200R 96-pack
Roll/Refill 3x200 cm · **Beige**

Exp. Date / Batch



27330075000054



168

266

Level-2 Box

Top →

Next page

Level-2 Box

Format	700x500 mm
Scale	1:1

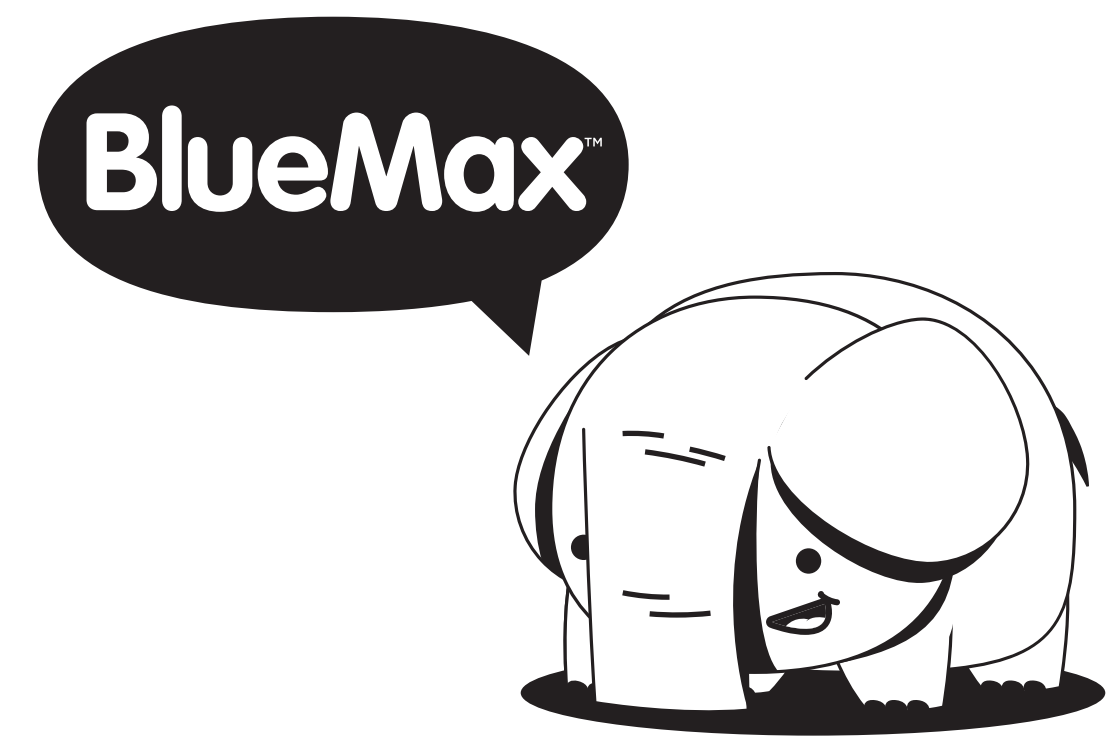
Top

Limfritt Akutplaster
Limfritt Akut plaster
Limfritt Akutplaster!

BlueMax™

266

Art no: 23200R 96-pack
Roll/Refill 3x200 cm · Beige



600



Level-2 Box