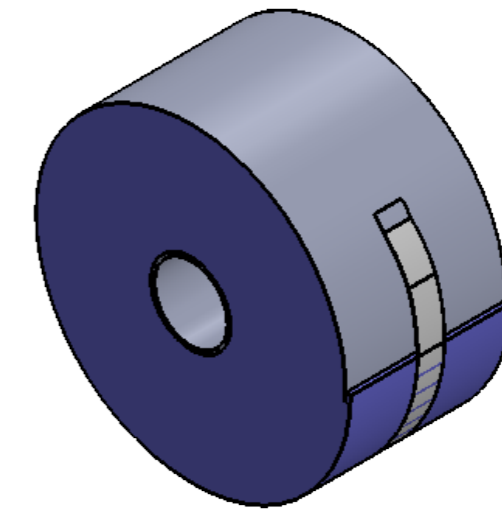
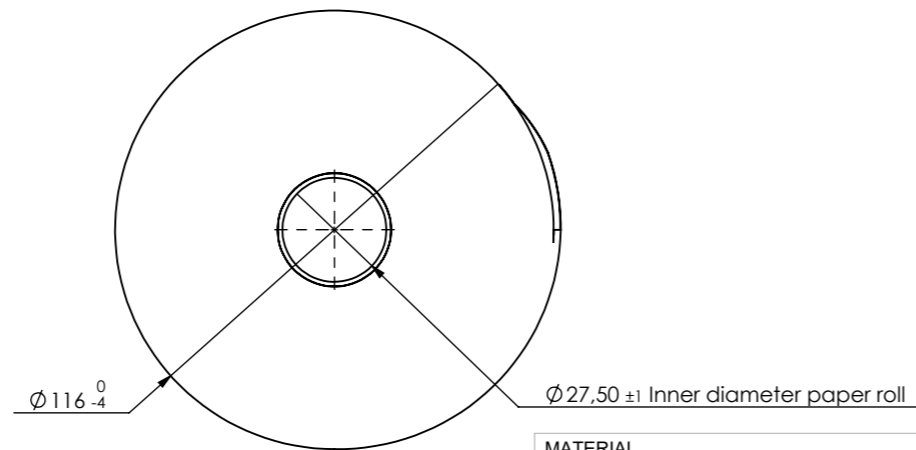
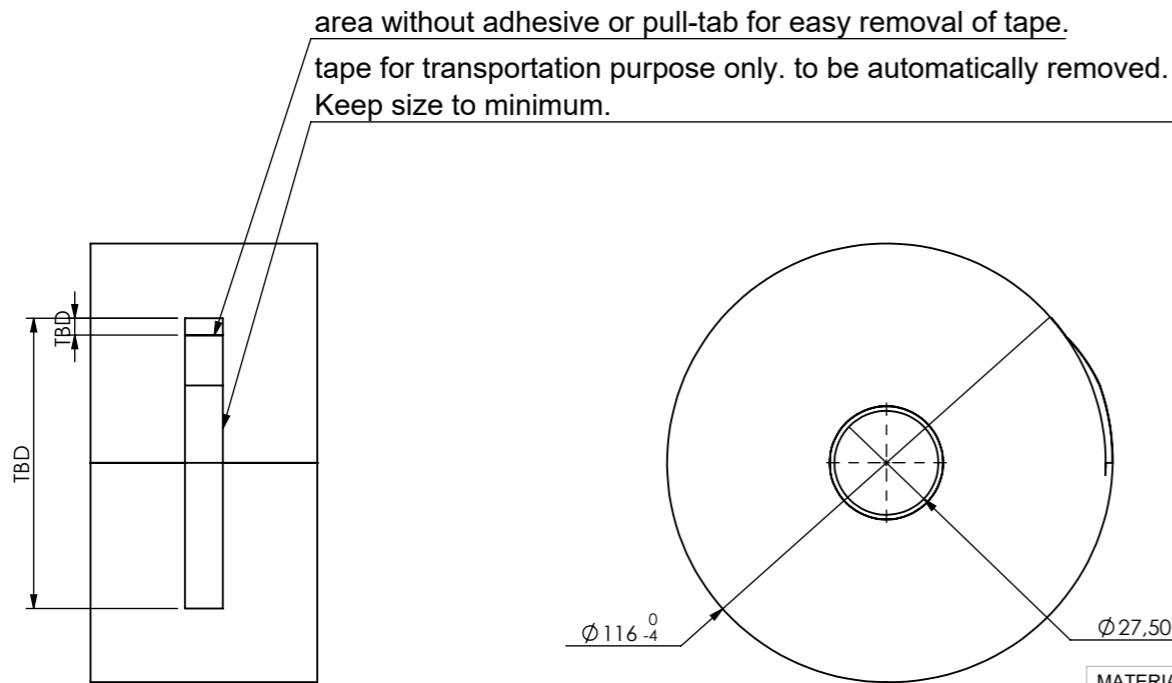
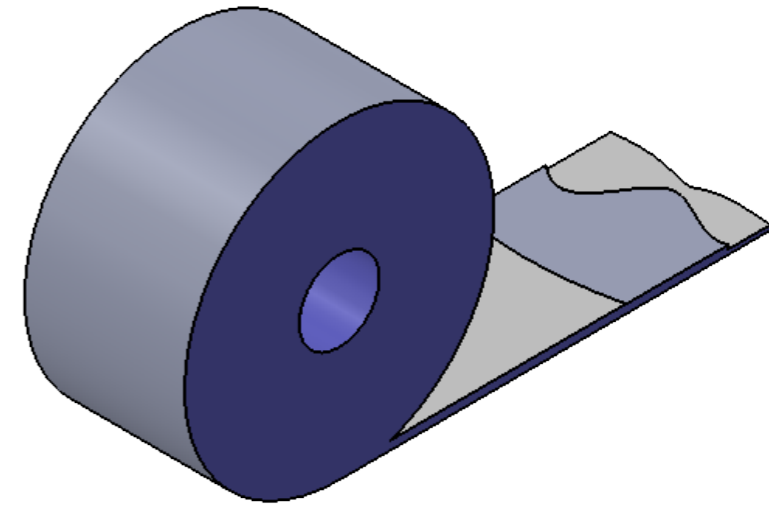



Paper liner, white color, thickness TBD
Foam plaster, thickness 1,4-1,8mm
Paper liner, white color, thickness TBD



Note:
 Foam material: thickness min:1,4mm max:1,8mm
 Color code: Code
 Uneven edges are not allowed on delivery of rolls.
 Dust particles are not allowed on the foam.
 Max outer diameter to be measured

MATERIAL See note			GENERAL SURFACE ROUGHNESS ISO 1302										
SURFACE TREATMENT see note			Ra (µm)										
<table border="1"> <tr> <td rowspan="2">E</td> <td>FORMAT</td> <td>A3</td> <td>DESIGNED BY / CHANGED BY</td> <td>Fkp /</td> </tr> <tr> <td>SCALE</td> <td>5:1</td> <td>APPROVED</td> <td></td> </tr> </table>			E	FORMAT	A3	DESIGNED BY / CHANGED BY	Fkp /	SCALE	5:1	APPROVED		DIMENSIONS AND SURFACE ROUGHNESS APPLIED AFTER SURFACE TREATMENT UNLESS OTHERWISE STATED	
E	FORMAT	A3		DESIGNED BY / CHANGED BY	Fkp /								
	SCALE	5:1	APPROVED										
			SHARP EDGES REMOVED UNLESS OTHERWISE STATED										
PRODUCT NAME Latex plaster 6500			GENERAL TOLERANCE ISO 2768 m										
			ORIGIN DATE 07/07/2020										
			PAGE 1/1										
			REV DATE 07/07/2020										
			REVISION A										
			DOC - ID TBD										

This document and its contents are the property of AUTO PARK TIME SWEDEN. and must not be copied, reproduced, transmitted or disclosed to any third party without the consent of us. Contravention will be prosecuted.