

Level-1 Box

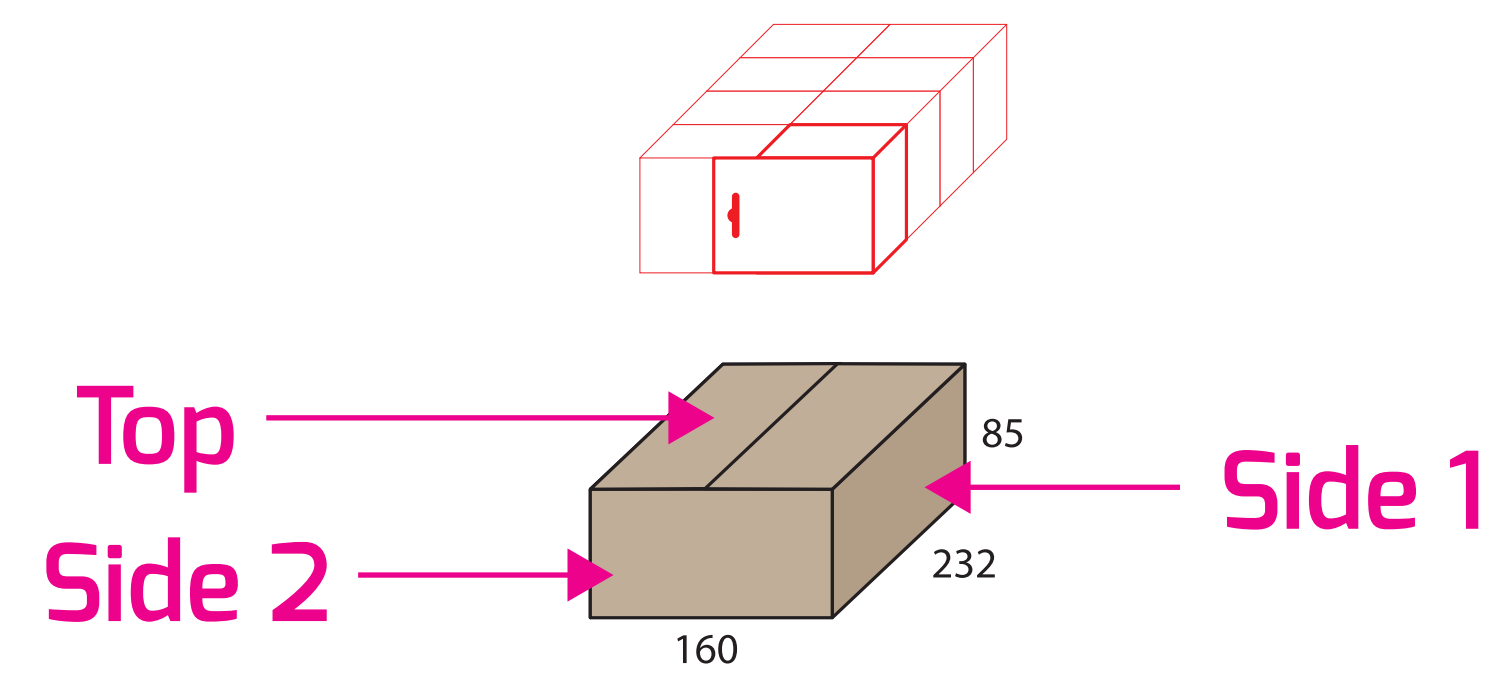
Side 1 Print on both sides



Side 2 Print on both sides



Top

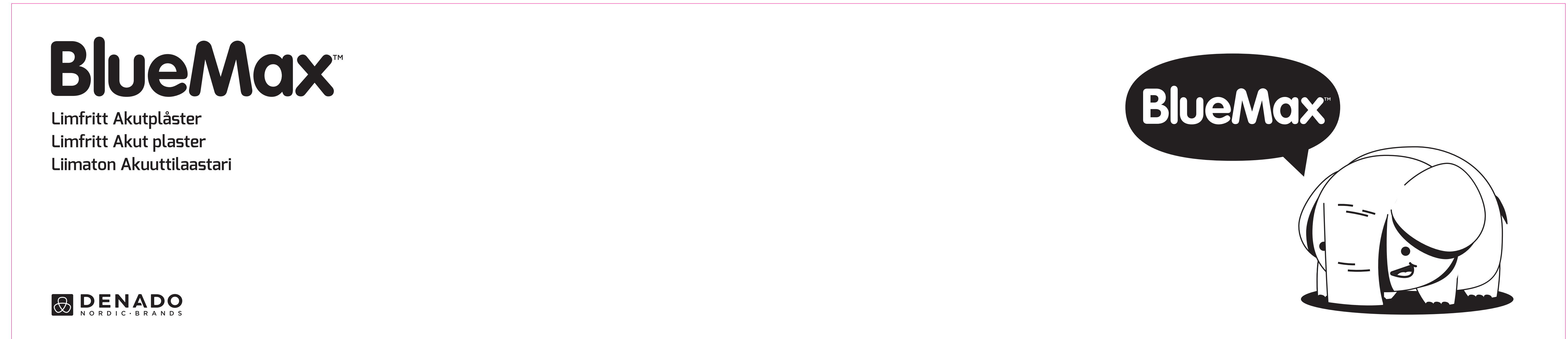


Level-1 Box

Level-2 Box

Format	1000x700 mm
Scale	1:1

Side 1 Print on both sides



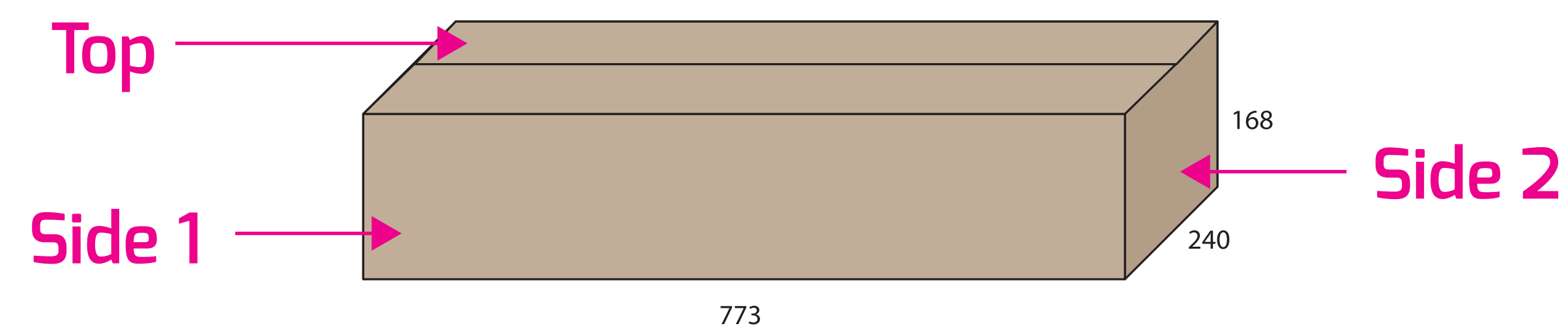
773

168

Side 2 Print on both sides



240



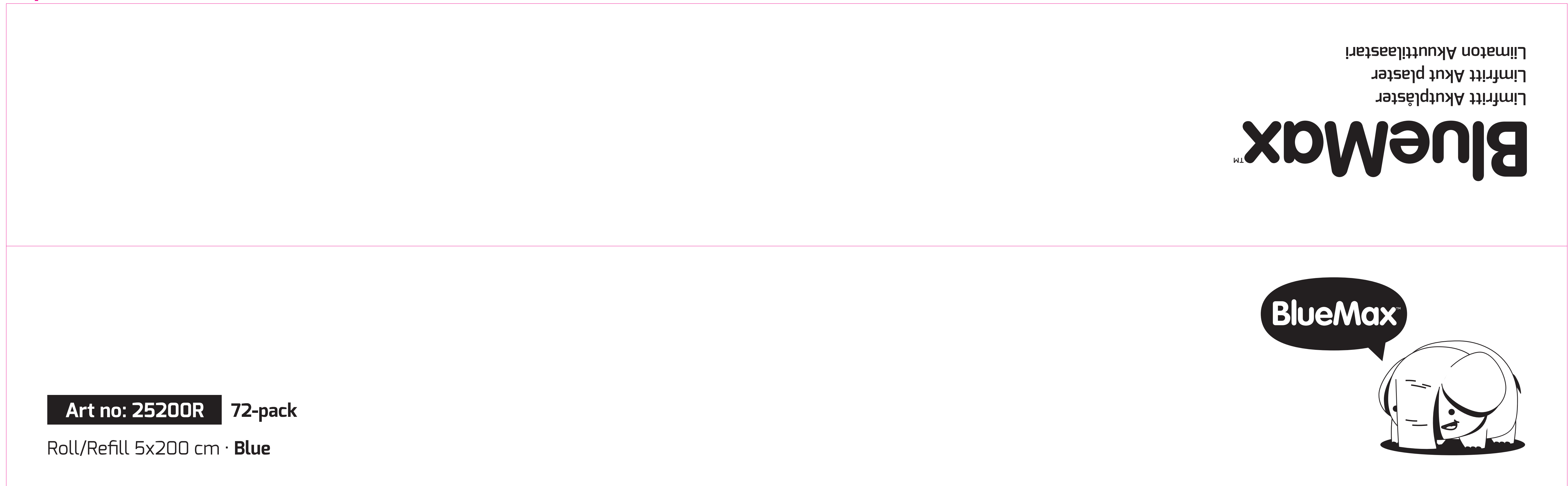
Level-2 Box

Top →
Next page

Level-2 Box

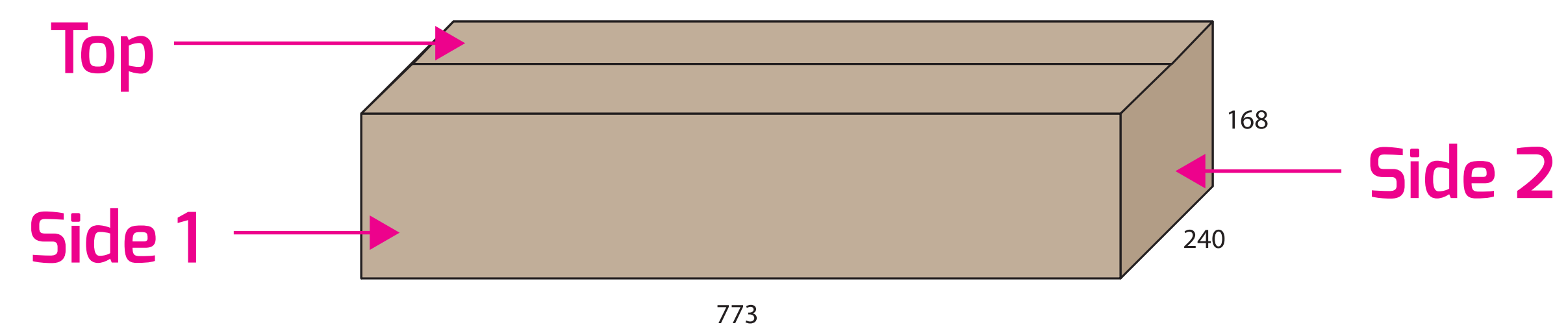
Format	1000x700 mm
Scale	1:1

Top



240

773



Level-2 Box