

Format	700x500 mm
Scale	1:1

# Level-1 Box

700x500 mm  
1:1

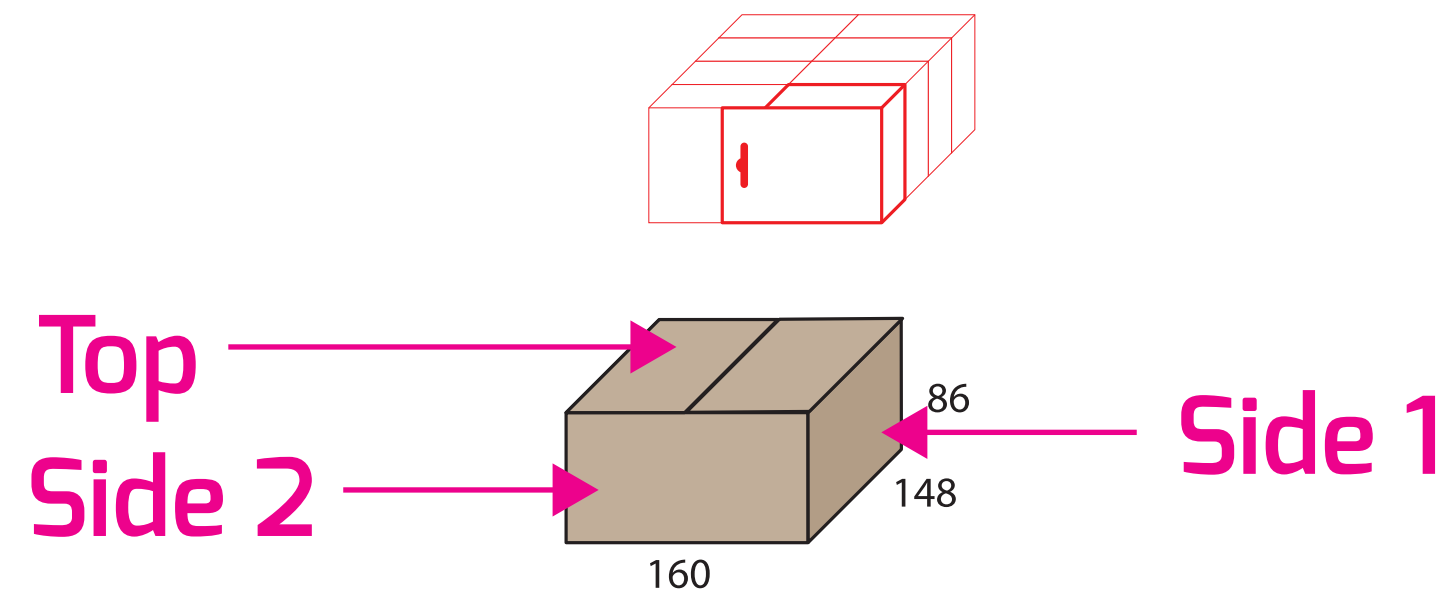
## Side 1 Print on both sides



## Side 2 Print on both sides



## Top

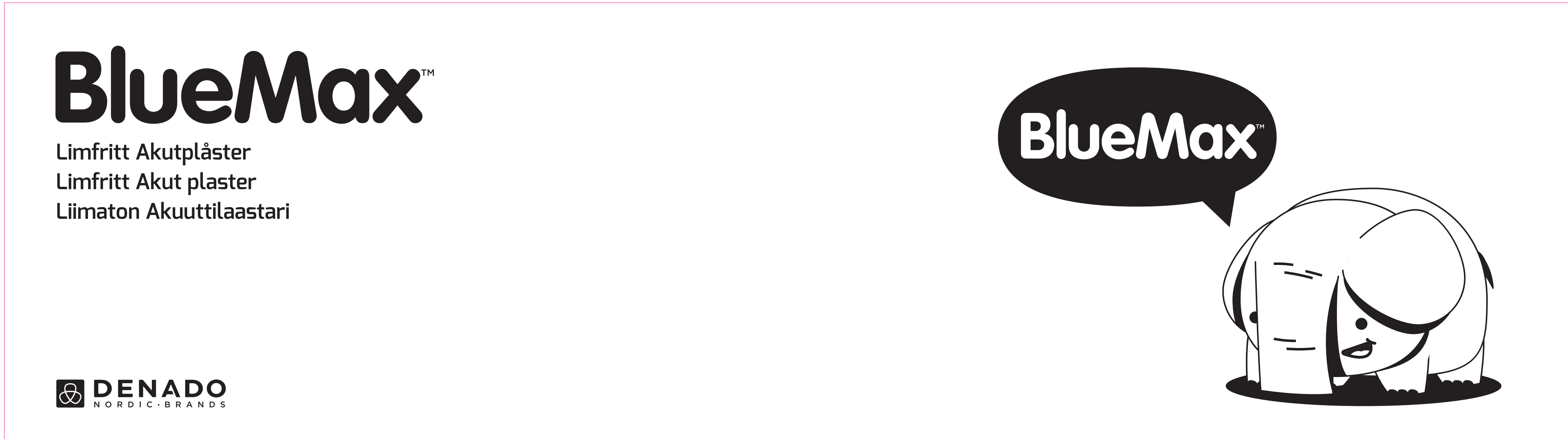


**Level-1 Box**

Format	700x500 mm
Scale	1:1

# Level-2 Box

## Side 1 Print on both sides



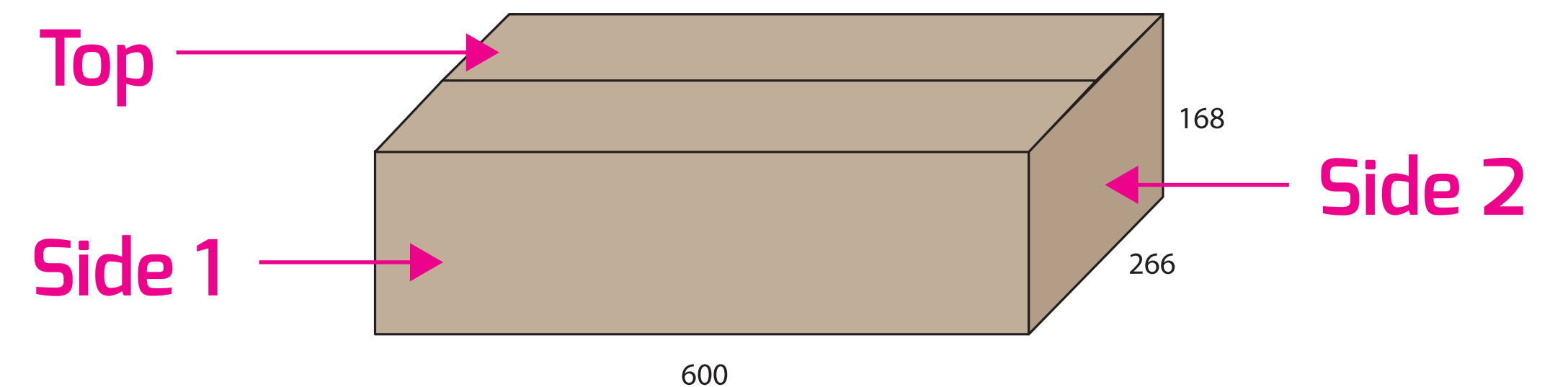
600

## Side 2 Print on both sides



168

266



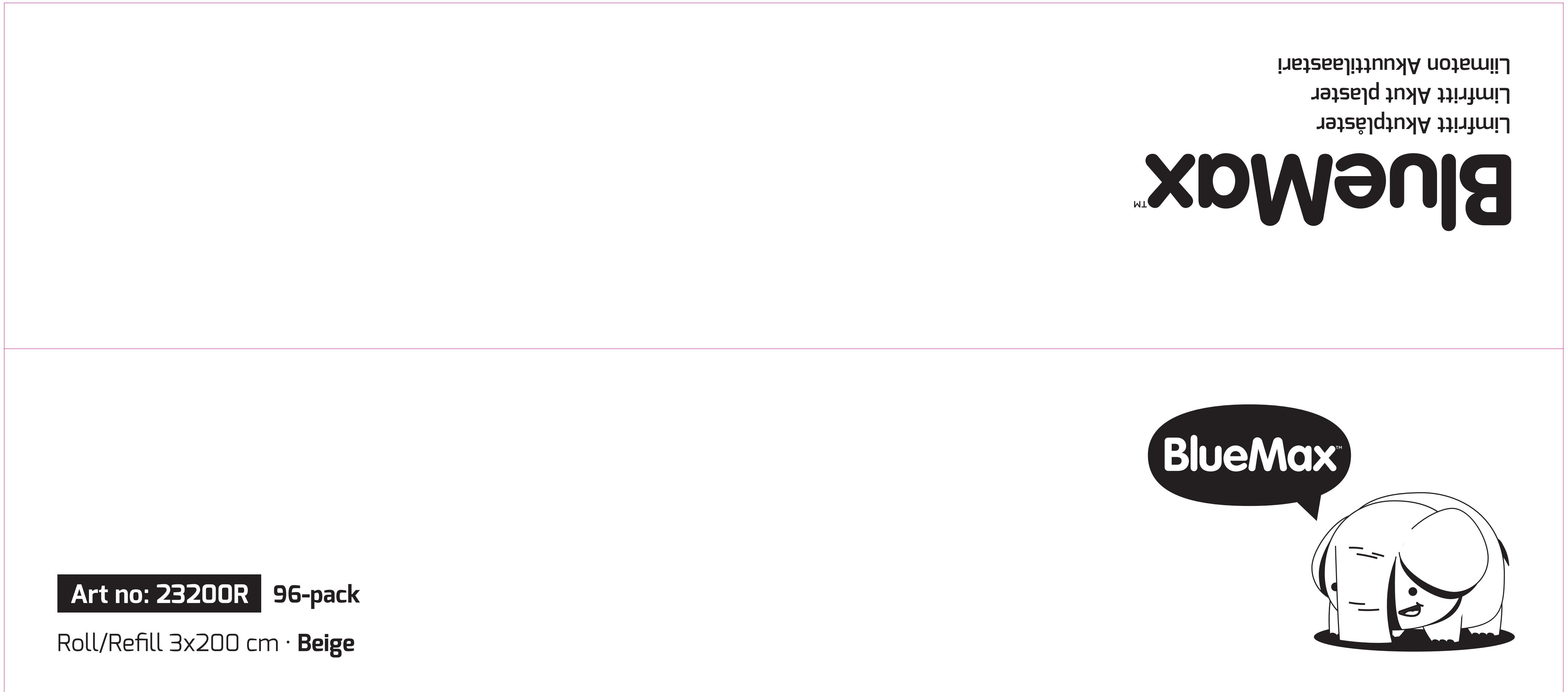
**Level-2 Box**

Top →  
Next page

Format	700x500 mm
Scale	1:1

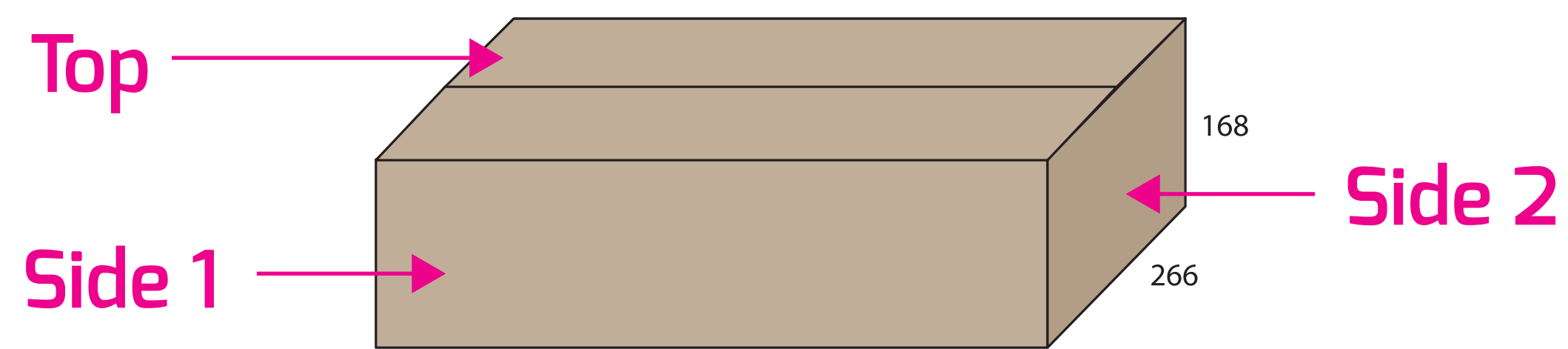
# Level-2 Box

Top



266

600



**Level-2 Box**